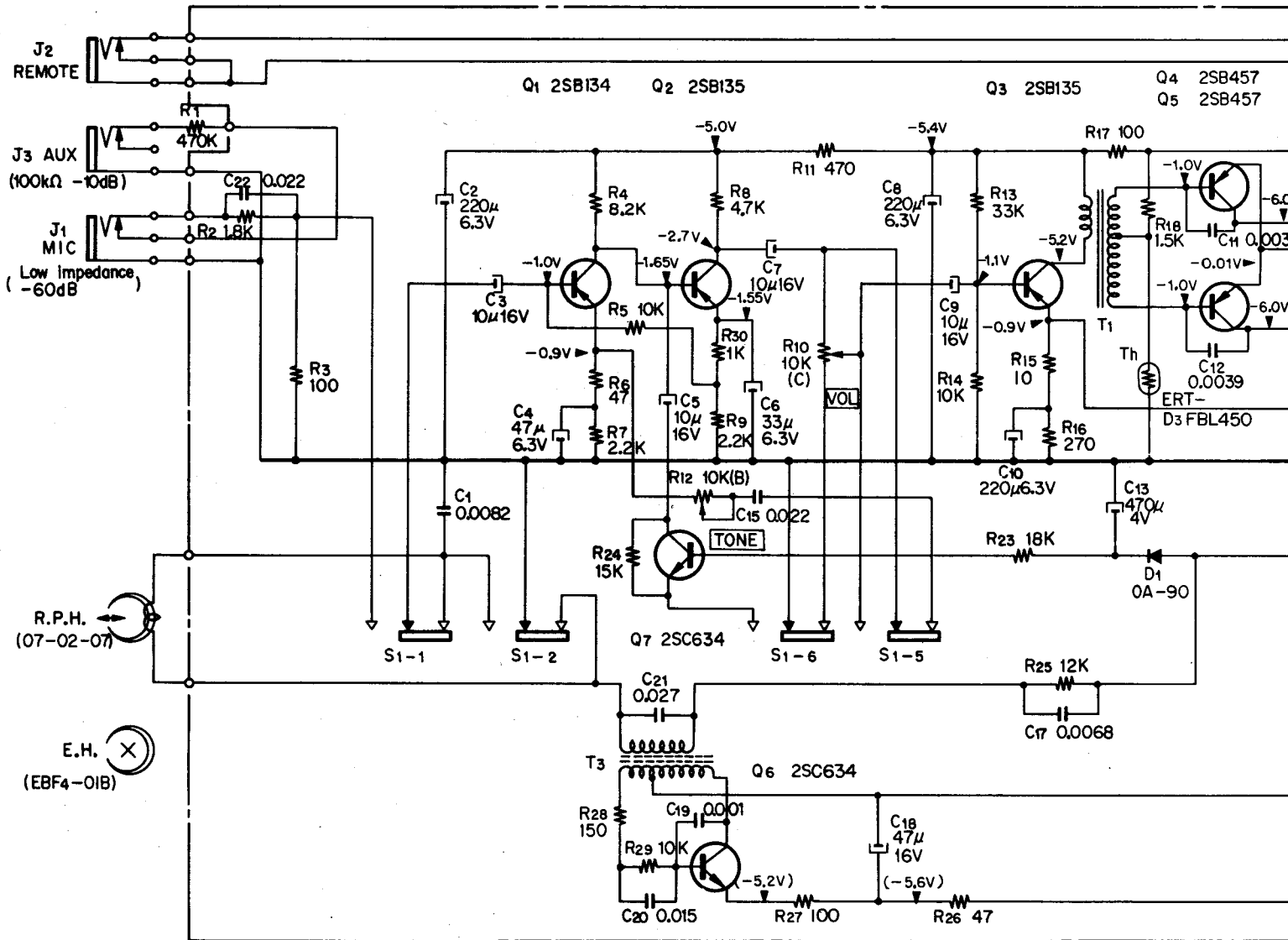
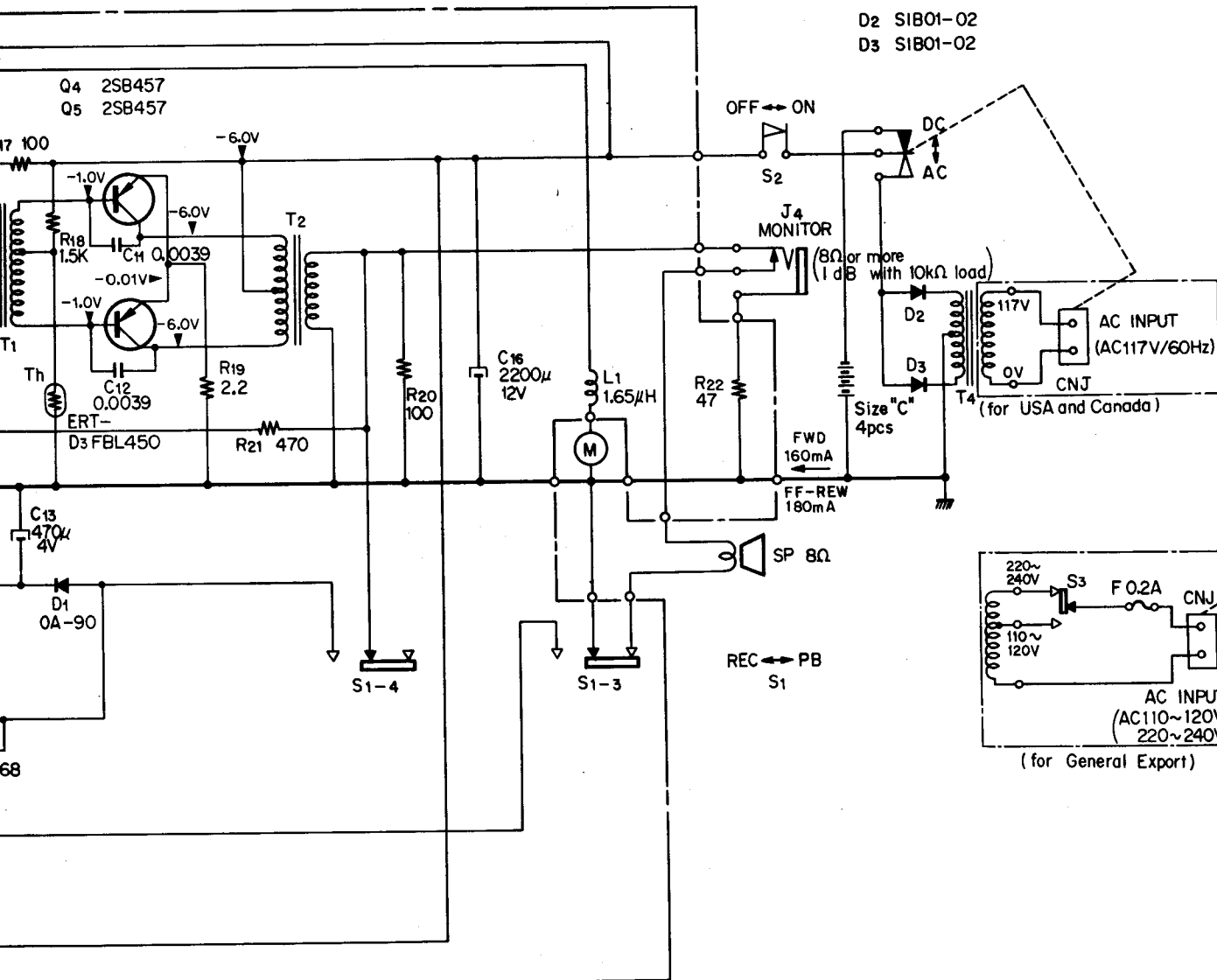


12. SCHEMATIC DIAGRAM





D2 SIB01-02
D3 SIB01-02

Note:

1. All resistors and capacitors are rated in Ω and μF unless otherwise indicated.
2. $\text{---}\text{---}\text{---}$ indicates grounded to chassis.
3. The letters (B) and (C) suffixed to rating value of variable resistor indicate its characteristics.
4. Voltage values shown are measured with a voltmeter (20 k Ω /V) in playback mode. Voltage values in parentheses are for record mode. Variations may be noted because of normal production tolerances.

5. The position of switch in this diagram are as per the table below.

Ref. No.	Description	Position
S1	record/playback switch	playback
S2	power switch	on
S3	voltage selector switch	220~240V